

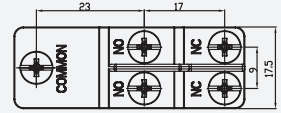
GENERAL-PURPOSE MICRO SWITCHES ZY-10 SERIES

Specifications

Operating Speed	0.01mm-1m/sec
Operating Frequency	Mechanical: 240ops/min Electrical: 20 ops/min
Insulation Resistance	>100MΩ@500V DC
Contact Resistance	<15mΩ
Rated Current/Voltage	10A 1/2HP 125/250VAC, 2A 480VAC, 0.5A 125VDC, 0.25A 250VDC
Dielectric Strength	1000VAC for 1 min between current carrying parts 1500VAC for 1 min between non-current carrying parts
Service Life	Mechanically 1.0 x10 ⁶ (operations) Electrically 5 x10 ⁵ (operations)
Operating Temperature	-40~+105°C (-40~221°F)
Humidity	General type:35%~85%RH Drip-proof: 35%~95%RH
Degree of Protection	General type:IP00 Drip-proof type(suffix:-55):IP64

Definitions of Operating Characteristics

OF Operating Force	PT Pretravel
RF Releasing Force	MD Movement Differential
OT Overtravel	OP Operating Position
TT Total Travel	PO Travel to Positive Opening

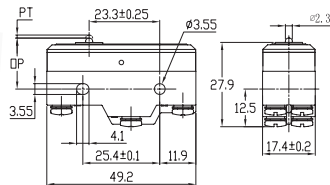


Ratings

Series	Rate Voltage	Non-inductive load (A)				Inductive load (A)			
		Resistive load		Bulb load		Inductive load		Motor load	
		NC	NO	NC	NO	NC	NO	NC	NO
Connection	AC125	10	4	2	6	5	2.5		
	250	10	2.5	1.5	6	3	1.5		
	DC 30	10	4	2	6	6	3		
Parallel Connection	125	1	1	1	0.1	0.1	0.1		
	250	0.6	0.6	0.6	0.05	0.05	0.05		
	AC125	6	3	1.5	4	4	2		
Parallel Connection	250	6	2.5	1.25	4	2	1		
	DC 30	6							
	125	0.6			0.1				
	250	0.3			0.05				

Dimensions Unit: mm

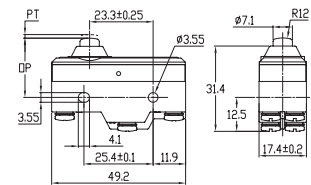
ZY-10G



Operating Characteristics

- OF_{max} 3.43N
- RF_{min} 1.12N
- PT_{max} 0.4mm
- OT_{min} 0.13mm
- MD_{max} 0.05mm
- OP 15.9±0.4mm

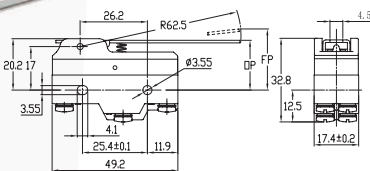
ZY-10GD



Operating Characteristics

- OF_{max} 3.43N
- RF_{min} 1.12N
- PT_{max} 0.4mm
- OT_{min} 1.6mm
- MD_{max} 0.05mm
- OP 21.5±0.5mm

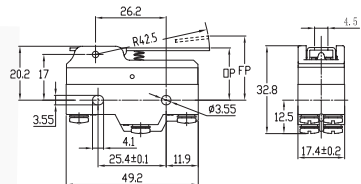
ZY-10GW



Operating Characteristics

- OF_{max} 0.69N
- RF_{min} 0.14N
- PT_{max} 10mm
- OT_{min} 5.6mm
- MD_{max} 2mm
- OP 19.1±0.7mm
- FP_{max} 28.2mm

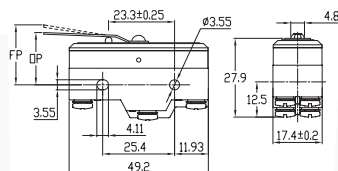
ZY-10GW1



Operating Characteristics

- OF_{max} 1.03N
- RF_{min} 0.21N
- PT_{max} 6.6mm
- OT_{min} 3.7mm
- MD_{max} 0.85mm
- OP 18.4±0.5mm
- FP_{max} 24.5mm

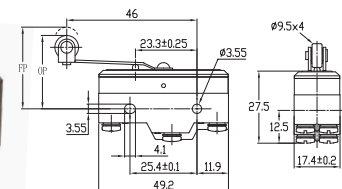
ZY-10GL



Operating Characteristics

- OF_{max} 1.47N
- RF_{min} 0.14N
- PT_{max} 4mm
- OT_{min} 1.6mm
- MD_{max} 1.3mm
- OP 17.4±0.8mm
- FP 20.6mm

ZY-10GL2

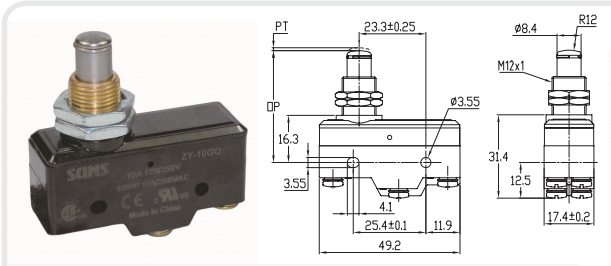


Operating Characteristics

- OF_{max} 1.47N
- RF_{min} 0.14N
- OT_{min} 1.6mm
- PT_{max} 4mm
- MD_{max} 1.3mm
- OP 28.6±0.8mm
- FP 31.8mm

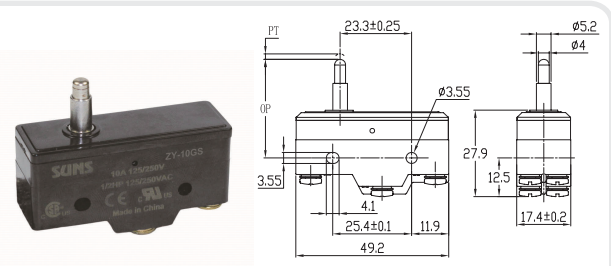
GENERAL-PURPOSE MICRO SWITCHES

ZY-10 SERIES



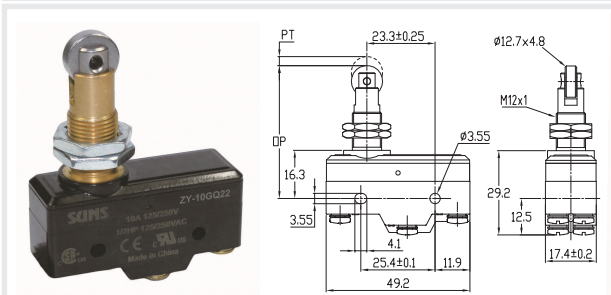
ZY-10GQ Operating Characteristics

- OF_{max} 3.43N
- RF_{min} 1.12N
- PT_{max} 0.4mm
- OT_{min} 5.5mm
- MD_{max} 0.05mm
- OP 21.8±0.8mm



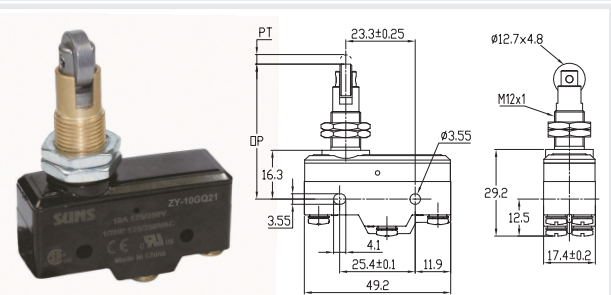
ZY-10GS Operating Characteristics

- OF_{max} 3.43N
- RF_{min} 1.12N
- PT_{max} 0.4mm
- OT_{min} 1.6mm
- MD_{max} 0.05mm
- OP 28.2±0.6mm



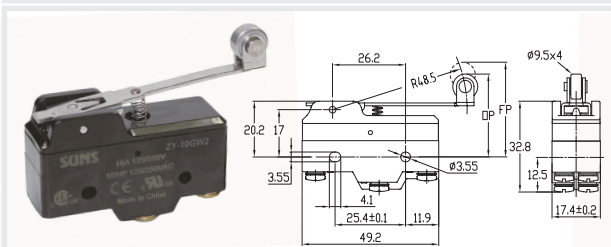
ZY-10GQ22 Operating Characteristics

- OF_{max} 3.43N
- RF_{min} 1.12N
- PT_{max} 0.4mm
- OT_{min} 3.58mm
- MD_{max} 0.05mm
- OP 33.4±1.2mm



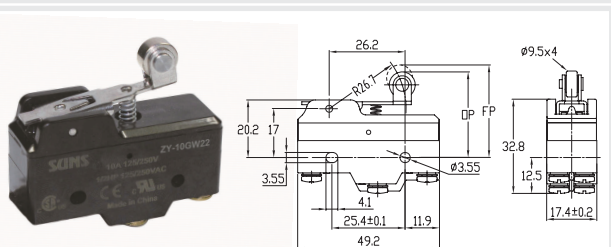
ZY-10GQ21 Operating Characteristics

- OF_{max} 3.43N
- RF_{min} 1.12N
- PT_{max} 0.4mm
- OT_{min} 3.58mm
- MD_{max} 0.05mm
- OP 33.4±1.2mm



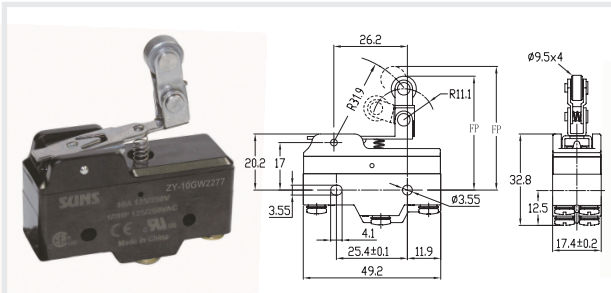
ZY-10GW2 Operating Characteristics

- OF_{max} 0.98N
- RF_{min} 0.21N
- PT_{max} 7.1mm
- OT_{min} 4mm
- MD_{max} 1.02mm
- FP_{max} 36.5mm
- OP 30.2±0.8mm



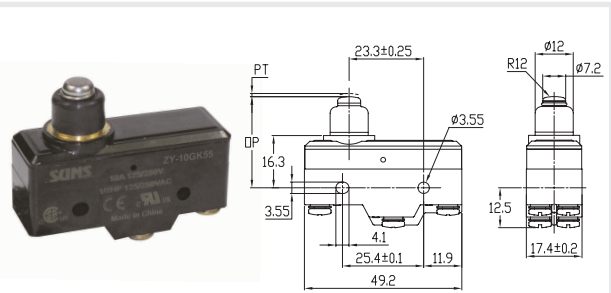
ZY-10GW22 Operating Characteristics

- OF_{max} 1.57N
- RF_{min} 0.41N
- PT_{max} 2.7mm
- OT_{min} 2.4
- MD_{max} 0.8mm
- FP_{max} 32.5mm
- OP 30.2±0.4mm



ZY-10GW2277 Operating Characteristics

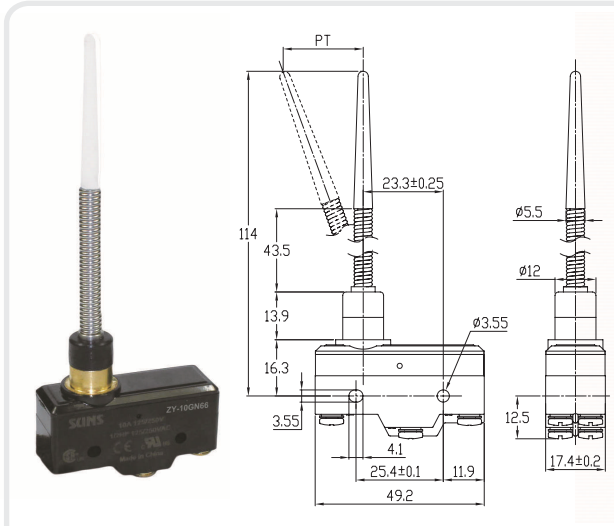
- OF_{max} 1.67N
- RF_{min} 0.41N
- PT_{max} 3mm
- OT_{min} 2.4mm
- MD_{max} 0.8mm
- FP_{max} 43.5mm
- OP 41.3±0.8mm



ZY-10GK55 Operating Characteristics

- OF_{max} 5.3N
- RF_{min} 1.11N
- OT_{min} 1.6mm
- PT_{max} 2.3mm
- MD_{max} 0.06mm
- OP 28.2±0.5mm

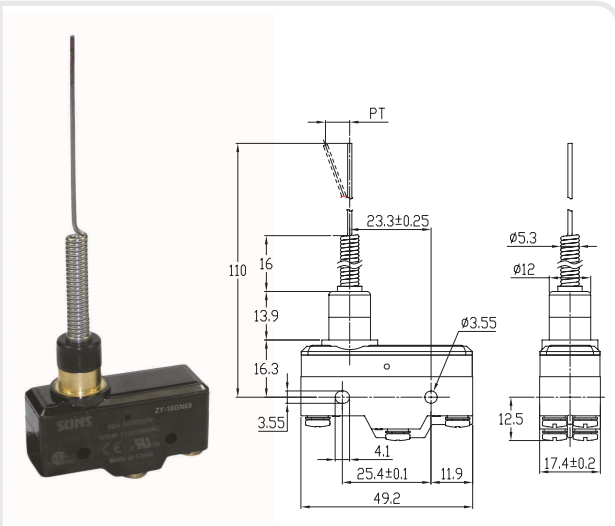
GENERAL-PURPOSE MICRO SWITCHES ZY-10 SERIES



ZY-10GN66

Operating Characteristics

- OF_{max} 0.7N
- PT_{max} 25mm



ZY-10GN69

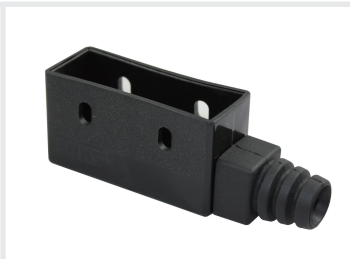
Operating Characteristics

- OF_{max} 0.7N
- PT_{max} 25mm



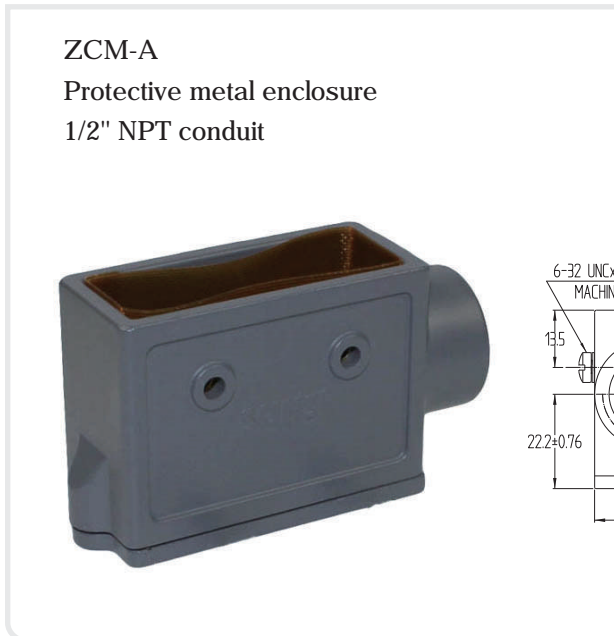
ZC-1

Protective sleeve



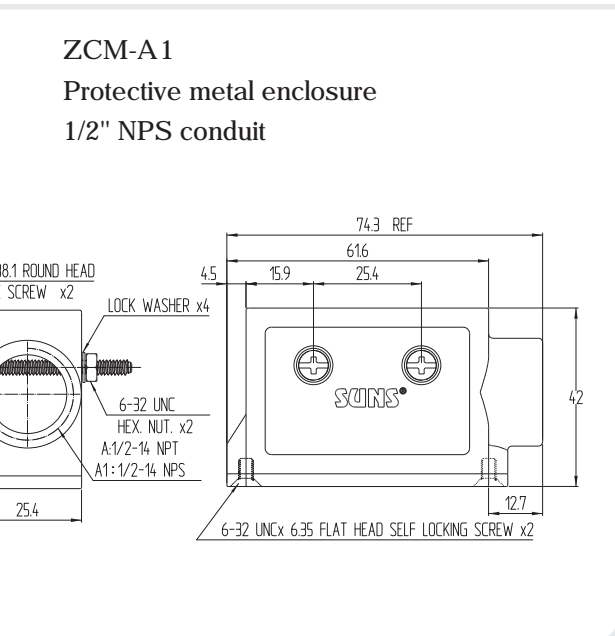
ZC-2

Protective sleeve



ZCM-A

Protective metal enclosure
1/2" NPT conduit



ZCM-A1

Protective metal enclosure
1/2" NPS conduit